



SAIAB

South African Institute
for Aquatic Biodiversity

INVITATION TO BID (SBD 1)

YOU ARE HEREBY INVITED TO BID FOR THE FOLLOWING SPECIFIED SUPPLY REQUIREMENTS

BID NUMBER:	NRF/SAIAB/035/45/2014-15	CLOSING DATE:	27 March 2015	CLOSING TIME	16:30
--------------------	---------------------------------	----------------------	----------------------	---------------------	--------------

BID DESCRIPTION

REPLACEMENT AND REFURBISHMENT OF THE PROPULSION SYSTEM ON SAIAB RESEARCH VESSEL KADOUW (13M BOBCAT) WHICH INCLUDES A 5-YEAR MAINTENANCE PLAN.

Preferential Procurement System Applicable (points for price: points for procurement preference): 90:10

Site Visit	Compulsory	Date and Time:	10h00 on the 18 th March 2015
		Location:	Port Alfred Small Boat Harbour

Failure to attend the site visit will disqualify the bidder

ORIGINAL BID DOCUMENTS AND SUPPORTING DOCUMENTATION ARE TO BE DELIVERED TO THE SAIAB RECEPTION AT:

EITHER PHYSICALLY OR BY COURIER

SAIAB
Somerset Street
Grahamstown
6139

ANY ENQUIRIES REGARDING THE BIDDING PROCEDURE DIRECTED TO:

Contact Person: Mrs Wendy Sweetman
Tel: 046 603 5820
Email: w.sweetman@saiab.ac.za

Bidders should timeously deliver bids to the correct address. If the bid is late at the SAIAB address, it is not considered. The bid box is open from 08h00 to 16h30 South African times, 5 days a week (Monday to Friday).

ALL BIDS MUST BE SUBMITTED ON THE OFFICIAL FORMS IN THIS INVITATION (NOT TO BE RE-TYPED) WITH ADDITIONAL INFORMATION ON ATTACHED SUPPORTING SCHEDULES.

THIS BID IS SUBJECT TO THE PREFERENTIAL PROCUREMENT POLICY FRAMEWORK ACT AND THE PREFERENTIAL PROCUREMENT REGULATIONS - 2011, THE GENERAL CONDITIONS OF CONTRACT) AND

SPECIAL CONDITIONS OF CONTRACT AS STIPULATED IN THIS INVITATION.

THE FOLLOWING PARTICULARS MUST BE FURNISHED AS LEAD PAGE OF THE BID RESPONSE

BID NUMBER: NRF/SAIAB/35/2014-15

CLOSING DATE: 27 March 2015

CLOSING TIME 16:30

NAME OF BIDDER

REPRESENTED BY

POSTAL ADDRESS

PHYSICAL ADDRESS

TELEPHONE NUMBER

CODE

NUMBER

CELL PHONE NUMBER

CODE

NUMBER

FACSIMILE NUMBER

CODE

NUMBER

E-MAIL ADDRESS

VAT REGISTRATION NUMBER:

HAS AN ORIGINAL AND VALID TAX CLEARANCE CERTIFICATE BEEN SUBMITTED?

YES or NO

PREFERENCE CLAIM FORM BEEN SUBMITTED FOR YOUR PREFERENCE POINTS? (SBD 6.1)

YES or NO

(A B-BBEE STATUS LEVEL VERIFICATION CERTIFICATE MUST SUPPORT PREFERENCE POINTS CLAIMED)

IF YES, WHO WAS THE B-BBEE CERTIFICATE ISSUED BY

AN ACCOUNTING OFFICER AS CONTEMPLATED IN THE CLOSE CORPORATION ACT (CCA)

A VERIFICATION AGENCY ACCREDITED BY THE SOUTH AFRICAN ACCREDITATION SYSTEM (SANAS); OR

A REGISTERED AUDITOR

[Tick Applicable Box]

ARE YOU THE ACCREDITED REPRESENTATIVE IN SOUTH AFRICA FOR THE GOODS/SERVICES/WORKS OFFERED? IF YES ENCLOSE PROOF

YES or NO

SIGNATURE OF BIDDER _____

NAME of BIDDER _____

DATE

CAPACITY UNDER WHICH THIS BID IS SIGNED

1. BACKGROUND TO THE NATIONAL RESEARCH FOUNDATION AND ITS BUSINESS UNITS

The National Research Foundation (NRF) is a juristic person established in terms of section 2 of the National Research Foundation Act, Act 23 of 1998 and a schedule 3A public entity in terms of the Public Finance Management Act. The NRF is the government's national agency responsible for promoting and supporting research and human capital development through funding, the provision of National Research Facilities and science outreach platforms and programs to the broader community in all fields of science and technology, including natural science, engineering, social science and humanities.

The **South African Institute for Aquatic Biodiversity (SAIAB)**, based in Grahamstown, is a National Research Facility of the National Research Foundation. SAIAB is an internationally recognised centre for the study of aquatic biodiversity

2. SCOPE OF WORK

Objective: SAIAB requires research vessel Kadouw (a 13m BobCat) to be a fully operational, seaworthy vessel, with a service plan and warrantee on the engines and other new components.

The scope of the work will include:

- Replacement of two Yanmar 6LY2A-STP marine inboard diesel engines
- Replacement of gearboxes with similar (same specification) gearboxes
- Replacement of couplings with similar (same specification) couplings
- Replacement of shafts with similar (same specification) shafts
- Servicing of all controls
- Servicing of steering and trim system
- Other items not listed above
- Integrating entire propulsion system to provide a fully operational propulsion system

SAIAB reserves the right to opt for refurbishment of the gearboxes and couplings should they be found to be in suitable condition. The costing must however be on a replacement basis.

3. SPECIFICATION OF GOODS AND SERVICES BEING PROCURED

3.1 Propulsion system

2 x New engines: Yanmar 6LY2A-STP or equivalent.

- New engines should have the same specifications as the current Yanmar 6LY2A-STP (See Apendix 1)
- New engines should be able to be installed without modification to the vessel.

3.2 Gearboxes

Yanmar KMH60A or equivalent

- Must be compatible with the new engines.
- Vessel should not be modified to accommodate gearboxes.

3.3. Couplings

Flexible prop shaft couplings (230mm OD; 120mm overall length) to be inspected and replaced if required. Blanks must be included.

3.4 Shafts

Shafts: To be replaced with 40mm shafts similar to the ones currently on the vessel (site visit required).

3.5 Propellers

2 x Propellers 4 blade 20" diameter (pitch to be supplied) props type GL485; bored and keyed for 40mm shafts 1 in P10 taper ;85% DAR, Nickel Aluminium Bronze material finished to ISO486/2 class 11 specifications.

3.6 Installation of propulsion system

The service provider will be expected to install the entire propulsion system from controls through to propellers. The finished product will be a fully operational propulsion system which will allow the vessel to pass a SAMSA Category B Seaworthy inspection. The bidder is obliged to indicate if there are any components that are required which have not been included in the scope to ensure the vessel operates and is seaworthy. This should be done at the site visit where all bidders are present, so that all bidders can quote on the same scope of work. These should be motivated, itemised and priced.

3.7 Controls

The controls must be inspected and replaced or serviced as required, steering and trim systems should be serviced.

3.8 Aftersales service

A maintenance plan as specified in Appendix 2 (for Yanmar 6LY2A-STP) or relevant approved maintenance plan for the new engine must be included and priced. The maintenance plan should be for at a minimum of 5 years. Maintenance must be done in Port Alfred or Port Elizabeth. Costing should be all inclusive for the services (parts specified in the schedule, labour and travel.)

The supplier must be available for maintenance and realignment of shafts at the biennial SAMSA shaft inspection.

The supplier must be available to conduct or subcontract unforeseen maintenance on the propulsion system.

Work must begin within 72hrs of being informed of any problem and must take place in Port Alfred or Port Elizabeth. SAIAB will not cover travel outside of the Eastern Cape.

3.9 Warrantee

A warrantee must be provided. The service provider must be authorised to install, and work on the engines and not compromise the warrantee. Bids will be scored according to the length of the warrantee (see section 17 selection criteria).

4. LOCAL CONTENT REQUIREMENTS

There is no requirement for local content.

5. SITE VISIT

A compulsory site visit to the vessel in Port Alfred will be required on the 18th March 2015 at 10:00. Visit to be arranged through Mr. Ryan Palmer r.palmer@saiab.ac.za.

At the site visit, bidders will be required to specify any additional components required to deliver a fully operational propulsion system.

6. TIMING

A maximum period of 6 months after award is allowed to complete the work. A time schedule should be included in the bid. If the job extends into 2016, a penalty of 10% of the amount of the outstanding work will be deducted per month.

7. EVIDENCE OF SUPPLY CAPACITY (TECHNICAL MERIT)

Bidders are required to provide a profile of themselves for evaluation of their capacity to perform the work. No more than 3 pages.

8. EVIDENCE OF SUPPLIER CAPABILITY (TECHNICAL MERIT)

Bidders are required to provide references and other evidence demonstrating their experience in delivering the work required and the quality of such previous work. Bidders are required to supply three (3) references from customers, showing their expertise. These letters must address the suppliers ability to supply timeously, the quality of workmanship and equipment, and the customers overall experiences with the supplier. The template for these letters is included at the end of this document.

9. PERFORMANCE LEVEL MANAGEMENT

The service provider performance is measured against the levels specified in the Specification section of this document.

10. SAFETY AND HEALTH ADMINISTRATION

The contract supplier is solely responsible for the safety and well-being of its employees when working at the NRF's research vessel.

11. INSURANCE

Out of water insurance to the value of R 3 000 000 will need to be taken by the contractor for the period that the vessel is not on its mooring at Port Alfred.

12. DOLLY & TRANSPORT

Kadouw is on mooring at the Port Alfred Marina. The contractor is responsible for all transport and dolly costs when off mooring.

13. CONTRACT PERIOD

The contract will commence with immediate effect upon signing of contract and will continue for a period of 5 years, subject to an annual review based on performance.

14. TESTING / PRODUCT / SERVICE DELIVERY VALIDATION

The contractor must test the entire propulsion system for a minimum of 5 hours of which at least two must be at sea. The contractor will be required to undertake a 2 hour sea trial with a SAIAB representative prior to signoff of the contract. SAIAB will validate that delivery of goods and services has been made at the required quality, and on time. Invoices may then be submitted to the SAIAB representative.

15. PAYMENT INTERVALS

SAIAB undertakes to pay **validated** invoices in full within thirty (30) days from the date of receipt of invoice. SAIAB does not accept pre-dating of invoices.

16. PRICING SCHEDULE FOR THE DURATION OF THE CONTRACT

(Standard Bidding Document 3.1 and 3.3)

NOTE Only firm prices will be accepted. Non-firm prices (including prices subject to rates of exchange variations) will not be considered

Price quoted is fully inclusive of all costs including delivery to the specified NRF Business Unit geographical address and includes value-added tax, pay as you earn, income tax, unemployment insurance fund contributions and skills development levies.

Detailed information is optional and is provided as annexures to the details provided below

No changes or extensions or additional ad hoc costs are accepted once the contract has been awarded

Bid price in South African currency, foreign exchange risk is for the account of the bidder

Pricing is subject to the addition of Preference Points as stipulated in Section 23 below - **Standard Bidding Document 6.1 Preference claim form**

OFFER TO BE VALID FOR **120 days** FROM THE CLOSING DATE OF BID.

DESCRIPTION	UNIT	QTY	Amount
Engines (new) incl. controls		2	
Gear boxes		2	
Shafts		2	
Couplings		2	
Servicing of controls, steering and trim			
Labour (hourly rate and number of hours required)			
Any additional costs (to be specified at site visit)			
Maintenance plan 50hr service (See appendix 1)			
Maintenance plan 250hr service (See appendix 1)			
Maintenance plan 2000hr service (See appendix 1)			
Total			

BID PRICE IN RSA CURRENCY (ALL APPLICABLE TAXES INCLUDED)

ADDITIONAL PRICE ITEMS OR DETAIL PRICE SCHEDULES ATTACHED	YES	NO
---	-----	----

Does the offer comply with the specification(s)? *YES/NO

If not to specification, indicate deviation(s) in a separate attached schedule

Period required for delivery

*Delivery: _____ Firm / Not Firm

17. SELECTION AND AWARDING OF CONTRACT

This bid is evaluated through a two-stage process.

17.1. Stage 1 – Selection of Qualified Bidders

- Bidders bid response / submission is evaluated against the bid invitation specifications as well as the bidder's capacity and capability.
- Evaluation is made in accordance to published evaluation criteria and the scoring set for each criterion.
- All qualifying bidders are shortlisted for the awarding stage.

17.2. Stage 2 – Awarding of the Contract

- Bidders are compared on a fair and equal basis taking into account all aspects of the proposals
- The award criterion are:
 - **Price** – with the lowest priced bid **on an equal and fair comparison basis** receiving the highest price score as set out in the 2011 Preference Regulations
 - **Preference** – preference points as claimed in the preference claim form are added to the price ranking scores and the highest combined score is nominated for the contract award
 - **Administration** - Contracts are awarded where bidders have supplied the relevant administrative documentation especially the tax certificate.

18. QUALIFYING THRESHOLDS FOR SELECTION (STAGE 1) EVALUATION

Bids scoring less than the minimum threshold of **70%** and, where GO/NO GO scoring is applied, scores of "NO GO" are marked as failed and are not considered in the next stage of evaluation

19. SELECTION ON SPECIFICATIONS AND TECHNICAL / FUNCTIONAL CAPABILITIES AND CAPACITIES

Evaluation scoring for all criteria other than "GO/NO GO" are scored on the following basis:

<u>0</u>	<u>1</u>	<u>2</u>	<u>3</u>	<u>4</u>	<u>5</u>
No Information to make assessment	Poor	Average	Meets Requirements	Exceeds Requirements	Exceeds Requirements and value adding

Total Evaluation Score = [Score x weighting x No of Evaluators] / [Maximum Score x 100 x No of Evaluators]
 Example Total Score – [(3 x 40x 4)+(4 x 30 x 4)+(5 x 30 x 4)] / [5 x 100 x 4] = [1560 /2000] = 78%

SELECTION CRITERIA

NO.	ELEMENT	WEIGHT/MIN. THRESHOLD
1	Authorised Yanmar service/installation agent (letter from manufacturer or authorised distributor to be provided).	GO / NO GO
2	Provision of fully operational propulsion system.	GO / NO GO
3	Site visit to boat in Port Alfred.	GO / NO GO
4	Meet entire technical specifications.	30% (minimum 3)
5	Warrantee on engine (Minimum one year)	20% (minimum 3)
6	Experience on sport-fisher refurbishment as per references. The reference letters from previous customers will be scored according to the table at the beginning of Paragraph 18. Three referees letters, in the format at the end of this document, must accompany the submission. The letters must speak to sport-fisher refurbishment.	30% (minimum 3)
7	Timing to complete work (max 6 months)	20% (minimum 3)

20. GENERAL CONDITIONS OF CONTRACT

General Conditions of Contract, as issued by National Treasury, are part of this contractual agreement and are made available on the SAIAB Website (<http://www.saiab.ac.za/>).

EXPLANATORY NOTES TO THE DECLARATIONS IN THE **SBD DOCUMENTS**

The explanatory notes for the Standard Bidding Documents (SBD)

(SBD6.1 – Preference Points Claim form, SBD4 – Declaration of Interest, SBD8 – Past Supply Chain Practices and SBD9 – Competitive Bidding) declarations in this contract are made available on the NRF Website (www.nrf.ac.za -> bids) as separate documents as published by National Treasury.

21. SPECIAL CONDITIONS APPLYING TO THIS CONTRACT

a) COMPLIANCE WITH FULL SCOPE OF THE BID INVITATION

Only bidders who can comply with the full scope of work and specification as set out in this document will be considered.

b) REPLACEMENT/REFURBISHMENT

SAIAB reserves the right to request a costing for refurbishment costs should replacement costs be above budget or the equipment is found to be serviceable.

c) JOINT PROPOSALS

Service providers are allowed to submit joint proposals to allow different companies to undertake different components of the work under one single proposal. Each service provider to provide tax certificate, B-BEE certificate, SBD6.1, SBD4, SBD8, SBD7 and SBD9

d) VALIDATION OF SUBMITTED DOCUMENTATION

The NRF has the right to have any documentation submitted by the bidders inspected by another technical body or organisation.

e) NOT LIABLE FOR BID RESPONSE PREPARATION COSTS

The NRF is not be liable for any cost incurred by a service provider in the process of responding to this bid, including on-site presentations, site visits and the proposal a service provider may make and/or submit.

f) CANCELLATION PRIOR TO AWARDING

The NRF has the right to withdraw and cancel the bid.

g) LATE BIDS.

Bids submitted after the stipulated closing date (and time) will not be considered.

h) COLLUSION, FRAUD AND CORRUPTION

Any effort by a bidder to influence bid evaluation, bid comparisons or bid award decisions in any manner, may result in rejection of the bid concerned.

i) LETTER OF AWARD

Once the delegated bid approver(s) has reached the decision, the successful bidder is informed through a written letter of acceptance, which in conjunction with elements detailed in the Standard Bidding Document 7 forms the contract between the NRF and the Bidder.

j) CONFIDENTIALITY

The successful bidder signs a general confidentiality agreement with the NRF.

k) VALIDITY PERIOD

The bid has a validity period of 120 days from date of closure of the call / bid.

l) PRESENTATIONS AND PROOF OF CONCEPT

The NRF has the right to call interviews / presentations / pitching sessions as well as proof of concept sessions with short-listed service providers before the final selection is done.

m) INTELLECTUAL PROPERTY PROVIDED IN THE BID INVITATION

All the information contained in this document is intended solely for the purposes of assisting bidders to prepare their bids. Any use of the information contained herein for other purpose than those stated in this document is prohibited.

The ownership and intellectual property rights of all designs, specifications, programming code and all other documentation provided by the NRF to the bidder, both successful and unsuccessful,

remains the property of the NRF

n) **INTELLECTUAL PROPERTY CONTAINED IN THE DELIVERABLES**

The ownership and intellectual property rights of all designs, specifications, programming code and all other documentation required as part of the delivery to the NRF resides with the NRF.

22. SUPPLIER DUE DILIGENCE

22.1. DECLARATION OF INTEREST (STANDARD BIDDING DOCUMENT 4)

21.1.1 Any legal person, including persons employed by the state¹, or persons having a kinship with persons employed by the state, including a blood relationship, may make an offer or offers in terms of this invitation to bid (includes an advertised competitive bid, a limited bid, a proposal or written price quotation). In view of possible allegations of favouritism, should the resulting bid, or part thereof, be awarded to persons employed by the state, or to persons connected with or related to them, it is required that the bidder or his/her authorised representative declare his/her position in relation to the evaluating/adjudicating authority where-

the bidder is employed by the state; and/or

the legal person on whose behalf the bidding document is signed, has a relationship with persons/a person who are/is involved in the evaluation and or adjudication of the bid(s), or where it is known that such a relationship exists between the person or persons for or on whose behalf the declarant acts and persons who are involved with the evaluation and or adjudication of the bid.

21.1.2. **In order to give effect to the above, the following questionnaire must be completed and submitted with this bid.**

21.1.2.1 Full Name of bidder or his or her representative:

21.1.2.2 Identity Number:

21.1.2.3

Position occupied in the Company (director, trustee, shareholder², member):

21.1.2.4 Registration number of company, enterprise, close corporation, partnership agreement or trust:

21.1.2.5 Tax Reference Number:

21.1.2.6 VAT Registration Number:

21.1.2.6.1 The names of all directors/trustees/shareholders/members, their individual identity numbers, tax reference numbers and, if applicable, employee/PERSAL numbers must be indicated in paragraph 3 below.

21.1.2.7 Are you or any person connected with the bidder presently employed by the state? **YES/NO**

21.1.2.7.1 If so, furnish the following particulars in an attached schedule:

Name of person/director/trustee/shareholder/member:

Name of state institution at which you or the person connected to the bidder is employed

Position occupied in the state institution

Any other particulars:

21.1.2.7.2 If you are presently employed by the state, did you obtain the appropriate authority to undertake remunerative work outside employment in the public sector? YES/NO

21.1.2.7.2.1 If yes, did you attach proof of such authority to the bid document? YES/NO

(Note: Failure to submit proof of such authority, where applicable, may result in the disqualification of the bid.)

21.1.2.7.2.2 If no, furnish reasons for non-submission of such proof as an attached schedule

21.1.2.8 Did you or your spouse, or any of the company's directors/ Trustees /shareholders /members or their spouses conduct business with the state in the previous twelve months? YES/NO

21.1.2.8.1 If so, furnish particulars as an attached schedule:

21.1.2.9 Do you, or any person connected with the bidder, have any relationship (family, friend, other) with a person employed by the state and who may be involved with the evaluation and or adjudication of this bid? YES/NO

21.1.2.9.1 If so, furnish particulars as an attached schedule.

21.1.2.10 Are you, or any person connected with the bidder, aware of any relationship (family, friend, other) between any other bidder and any person employed by the state who may be involved with the evaluation and or adjudication of this bid? YES/NO

21.1.2.10.1 If so, furnish particulars as an attached schedule:

21.1.2.11 Do you or any of the directors/trustees/shareholders/members of the company have any interest in any other related companies whether or not they are bidding for this contract? YES/NO

21.1.2.11.1 If so, furnish particulars as an attached schedule:

21.1.3. **Full details of directors/trustees/members/shareholders.**

Full Name	Identity Number	Personal Income Tax Reference Number	State Employee Number/ Payroll (Persal) Number
Schedule attached with the above details for all directors / members / shareholders			YES NO

22.2. DECLARATION OF BIDDER'S PAST SUPPLY CHAIN MANAGEMENT PRACTICES (STANDARD BIDDING DOCUMENT 8)

Item	Question	Yes	No
21.2.1	Is the bidder or any of its directors listed on the National Treasury's Database of Restricted Suppliers as companies or persons prohibited from doing business with the public sector?	Yes	No
	The Database of Restricted Suppliers now resides on the National Treasury's website (www.treasury.gov.za) and can be accessed by clicking on its link at the bottom of the home page.		
	If so, furnish particulars as an attached schedule:		
21.2.2	Is the bidder or any of its directors listed on the Register for Tender Defaulters in terms of section 29 of the Prevention and Combating of Corrupt Activities Act (No 12 of 2004)?	Yes	No
	The Register for Tender Defaulters can be accessed on the National Treasury's website (www.treasury.gov.za) by clicking on its link at the bottom of the home page.		
	If so, furnish particulars as an attached schedule:		
21.2.3	Was the bidder or any of its directors convicted by a court of law (including a court outside of the Republic of South Africa) for fraud or corruption during the past five years?	Yes	No
	If so, furnish particulars as an attached schedule:		
21.2.4	Was any contract between the bidder and any organ of state terminated during the past five years on account of failure to perform on or comply with the contract?	Yes	No
	If so, furnish particulars as an attached schedule:		

22.3. CERTIFICATE OF INDEPENDENT BID DETERMINATION (STANDARD BIDDING DOCUMENT 9)

I, the undersigned, in submitting this bid in response to the invitation for the bid made by **NATIONAL RESEARCH FOUNDATION** do hereby make the following statements that I certify to be true and complete in every respect:

I certify, on behalf of: _____ (Name of Bidder) that:

1. I have read and I understand the contents of this Certificate;
2. I understand that the accompanying bid will be disqualified if this Certificate is found not to be true and complete in every respect;
3. I am authorized by the bidder to sign this Certificate, and to submit the accompanying bid, on behalf of the bidder;
4. Each person whose signature appears on the accompanying bid has been authorized by the bidder to determine the terms of, and to sign the bid, on behalf of the bidder;
5. For the purposes of this Certificate and the accompanying bid, I understand that the word "competitor" shall include any individual or organization, other than the bidder, whether or not affiliated with the bidder, who:
 - (a) has been requested to submit a bid in response to this bid invitation;
 - (b) could potentially submit a bid in response to this bid invitation, based on their qualifications, abilities or experience; and
 - (c) provides the same goods and services as the bidder and/or is in the same line of business as the bidder
6. The bidder has arrived at the accompanying bid independently from, and without consultation, communication, agreement or arrangement with any competitor. However communication between partners in a joint venture or consortium³ will not be construed as collusive bidding.

³ Joint venture or Consortium means an association of persons for the purpose of combining their expertise, property, capital, efforts, skill and knowledge in an activity for the execution of a contract.
7. In particular, without limiting the generality of paragraphs 6 above, there has been no consultation, communication, agreement or arrangement with any competitor regarding:
 - (a) prices;
 - (b) geographical area where product or service will be rendered (market allocation)
 - (c) methods, factors or formulas used to calculate prices;
 - (d) the intention or decision to submit or not to submit, a bid;
 - (e) the submission of a bid which does not meet the specifications and conditions of the bid; or
 - (f) bidding with the intention not to win the bid.
8. In addition, there have been no consultations, communications, agreements or arrangements with any competitor regarding the quality, quantity, specifications and conditions or delivery particulars of the products or services to which this bid invitation relates.
9. The terms of the accompanying bid have not been, and will not be, disclosed by the bidder, directly or indirectly, to any competitor, prior to the date and time of the official bid opening or of the awarding of the contract.
10. I am aware that, in addition and without prejudice to any other remedy provided to combat any restrictive practices related to bids and contracts, bids that are suspicious will be reported to the Competition Commission for investigation and possible imposition of administrative penalties in terms of section 59 of the Competition Act No 89 of 1998 and or may be reported to the National Prosecuting Authority (NPA) for criminal investigation and or may be restricted from conducting business with the public sector for a period not exceeding ten (10) years in terms of the Prevention and Combating of Corrupt Activities Act No 12 of 2004 or any other applicable legislation

23. PREFERENCE POINTS CLAIM FORM (STANDARD BIDDING DOCUMENT 6.1)

POINTS AWARDED FOR B-BBEE STATUS LEVEL OF CONTRIBUTION

In terms of Regulation 5 (2) and 6 (2) of the Preferential Procurement Regulations, preference points must be awarded to a bidder for attaining the B-BBEE status level of contribution in accordance with the table below:

B-BBEE Status Level of Contributor	Number of points (90/10 system)
1	10
2	9
3	8
4	5
5	4
6	3
7	2
8	1
Non-compliant contributor	0

BID DECLARATION

Bidders who claim points in respect of B-BBEE Status Level of Contribution must complete below:

B-BBEE STATUS LEVEL OF CONTRIBUTION CLAIMED IN TERMS OF THE ABOVE TABLE

B-BBEE Status Level of Contribution: =(maximum of 10 or 20 points)

(Points claimed must be in accordance with the table reflected above and must be substantiated by means of a B-BBEE certificate issued by a Verification Agency accredited by SANAS or a Registered Auditor approved by IRBA or an Accounting Officer as contemplated in the CCA).

SUB-CONTRACTING

Will any portion of the contract be sub-contracted? YES / NO

If yes, indicate:

- (i) what percentage of the contract will be subcontracted?%
- (ii) the name of the sub-contractor?
- (iii) the B-BBEE status level of the sub-contractor?
- (iv) whether the sub-contractor is an EME? YES / NO

DECLARATION WITH REGARD TO COMPANY/FIRM

Name of company/firm

VAT registration number:

Company registration number

TYPE OF COMPANY/ FIRM

- Partnership/Joint Venture / Consortium
- One person business/sole propriety
- Close corporation

- Company
- (Pty) Limited

[Tick applicable box]

DESCRIBE PRINCIPAL BUSINESS ACTIVITIES

.....

COMPANY CLASSIFICATION

- Manufacturer
- Supplier
- Professional service provider
- Other service providers, e.g. transporter, etc.

[Tick applicable box]

Total number of years the company/firm has been in business?

I/we, the undersigned, who is / are duly authorised to do so on behalf of the company/firm, certify that the points claimed, based on the B-BBE status level of contribution of the foregoing certificate, qualifies the company/ firm for the preference(s) shown and I / we acknowledge that:

- (i) The information furnished is true and correct;
- (ii) The preference points claimed are in accordance with the General Conditions as indicated in paragraph 1 of this form.
- (iii) In the event of a contract being awarded as a result of points claimed as shown above, the contractor may be required to furnish documentary proof to the satisfaction of the purchaser that the claims are correct;
- (iv) If the B-BBEE status level of contribution has been claimed or obtained on a fraudulent basis or any of the conditions of contract have not been fulfilled, the purchaser may, in addition to any other remedy it may have –
 - (a) disqualify the person from the bidding process;
 - (b) recover costs, losses or damages it has incurred or suffered as a result of that person’s conduct;
 - (c) cancel the contract and claim any damages which it has suffered as a result of having to make less favourable arrangements due to such cancellation;
 - (d) restrict the bidder or contractor, its shareholders and directors, or only the shareholders and directors who acted on a fraudulent basis, from obtaining business from any organ of state for a period not exceeding 10 years, after the audi alteram partem (hear the other side) rule has been applied; and
 - (e) forward the matter for criminal prosecution
- (v) A person will not be awarded points for B-BBEE status level if it is indicated in the bid documents that such a bidder intends sub-contracting more than 25% of the value of the contract to any other enterprise that does not qualify for at least the points that such a bidder qualifies for, unless the intended sub-contractor is an EME that has the capability and ability to execute the sub-contract.
- (vi) A person awarded a contract may not sub-contract more than 25% of the value of the contract to any other enterprise that does not have an equal or higher B-BBEE status level than the person concerned, unless the contract is sub-contracted to an EME that has the capability and ability to execute the sub-contract.

24. CHECK LIST FOR THE COMPLETION OF THE BID DOCUMENT

Description	Tick
Fully completed ORIGINAL bid document completed by hand	
Initial every page of the bid	
TO BE COMPLETED	
SBD 1: Invitation to Bid and conditions of undertaking	
SBD 3.1, 3.2 and 3.3: Pricing Schedule(s)	
SBD 6.1: Preference claims for Broad Based Black Economic Empowerment Status Level of Contribution in terms of the Preferential Procurement Regulations 2011.	
SBD 4: Declaration of Interest	
SBD 8: Declaration of Bidder's past SCM practices	
SBD 9: Certificate of Independent Bid Determination	
DOCUMENTS TO ATTACH	
Bidder's responses to technical specifications, capability requirements (company profile) and capacity as requested in order to evaluate proposals	
Original Tax Clearance Certificate	
Certified copy of Company Registration form	
References	
Certified BBBEE certificate (if preference points are claimed)	
BEE EME Certificate For companies that have less than R5million turnover supply letter from accountant/auditor confirming this.	
Proof of accreditation as a representative for the goods and services offered	
Proposed maintenance plan	
Proof of warrantee	
Proposed work plan/schedule	

The National Treasury General Conditions of Contract form part of this bid and should be read.

Conditions of contract can be found on the following NRF and SAIAB websites

<http://www.nrf.ac.za/sites/default/files/documents/General%20Conditions%20of%20Contract.pdf>

<http://www.saiab.ac.za/procurement.htm>

25. DEFINITIONS

“**all applicable taxes**” includes value-added tax, pay as you earn, income tax, unemployment insurance fund contributions and skills development levies;

“**B-BBEE**” means broad-based black economic empowerment as defined in section 1 of the Broad -Based Black Economic Empowerment Act;

“**B-BBEE status level of contributor**” means the B-BBEE status received by a measured entity based on its overall performance using the relevant scorecard contained in the Codes of Good Practice on Black Economic Empowerment, issued in terms of section 9(1) of the Broad-Based Black Economic Empowerment Act;

“**bid**” means a written offer in a prescribed or stipulated form in response to an invitation by an organ of state for the provision of services, works or goods, through price quotations, written price quotations, advertised competitive bidding processes or proposals;

“**bid price**” price offered by the bidder, including value added tax (VAT);

“**Broad-Based Black Economic Empowerment Act**” means the Broad-Based Black Economic Empowerment Act, 2003 (Act No. 53 of 2003);

“**Closing time**” means the date and hour specified in the bidding documents for the receipt of bids.

“**Collusion**” means Section 4 (1) (b) (iii) of the Competition Act No. 89 of 1998, as amended, prohibits an agreement between, or concerted practice by, firms, or a decision by an association of firms, if it is between parties in a horizontal relationship and if it involves collusive bidding (or bid rigging).

Collusive bidding is a pe se prohibition meaning that it cannot be justified under any grounds. Bid rigging (or collusive bidding) occurs when businesses, that would otherwise be expected to compete, secretly conspire to raise prices or lower the quality of goods and/or services for purchasers who wish to acquire goods and/or services through a bidding process. Bid rigging is, therefore, an agreement between competitors not to compete.

“**comparative price**” means the price after the factors of a non-firm price and all unconditional discounts that can be utilised have been taken into consideration;

“**consortium or joint venture**” means an association of persons for the purpose of combining their expertise, property, capital, efforts, skill and knowledge in an activity for the execution of a contract;

“**Contract**” means the written agreement entered into between the purchaser and the supplier, as recorded in the contract form signed by the parties, including all attachments and appendices thereto and all documents incorporated by reference therein.

“**Contract price**” means the price payable to the supplier under the contract for the full and proper performance of his contractual obligations.

“**Corrupt practice**” means the offering, giving, receiving, or soliciting of any thing of value to influence the action of a public official in the procurement process or in contract execution.

“**Countervailing duties**” are imposed in cases where an enterprise abroad is subsidised by its government and encouraged to market its products internationally.

“**Country of origin**” means the place where the goods were mined, grown or produced or from which the services are supplied. Goods are produced when, through manufacturing, processing or substantial and major assembly of components, a commercially recognised new product results that is substantially different in basic characteristics or in purpose or utility from its components.

“**Day**” means calendar day.

“**Delivery**” means delivery in compliance of the conditions of the contract or order.

“**Delivery ex stock**” means immediate delivery directly from stock actually on hand.

“**Delivery into consignees store or to his site**” means delivered and unloaded in the specified store or depot or on the specified site in compliance with the conditions of the contract or order, the supplier bearing all risks and charges involved until the supplies are so delivered and a valid receipt is obtained.

“**designated sector**” means a sector, sub-sector or industry that has been designated by the Department of Trade and Industry in line with national development and industrial policies for local production, where only locally produced services, works or goods or locally manufactured goods meet the stipulated minimum threshold for local production and content;

“**duly sign**” means a Declaration Certificate for Local Content that has been signed by the Chief Financial Officer or other legally responsible person nominated in writing by the Chief Executive, or senior

member/person with management responsibility(close corporation, partnership or individual).

"Dumping" occurs when a private enterprise abroad market its goods on own initiative in the RSA at lower prices than that of the country of origin and which have the potential to harm the local industries in the RSA.

"EME" means any enterprise with an annual total revenue of R5 million or less.

"Firm price" means the price that is only subject to adjustments in accordance with the actual increase or decrease resulting from the change, imposition, or abolition of customs or excise duty and any other duty, levy, or tax, which, in terms of the law or regulation, is binding on the contractor and demonstrably has an influence on the price of any supplies, or the rendering costs of any service, for the execution of the contract;

"Force majeure" means an event beyond the control of the supplier and not involving the supplier's fault or negligence and not foreseeable. Such events may include, but is not restricted to, acts of the purchaser in its sovereign capacity, wars or revolutions, fires, floods, epidemics, quarantine restrictions and freight embargoes.

"Fraudulent practice" means a misrepresentation of facts in order to influence a procurement process or the execution of a contract to the detriment of any bidder, and includes collusive practice among bidders (prior to or after bid submission) designed to establish bid prices at artificial non-competitive levels and to deprive the bidder of the benefits of free and open competition.

"functionality" means the measurement according to predetermined norms, as set out in the bid documents, of a service or commodity that is designed to be practical and useful, working or operating, taking into account, among other factors, the quality, reliability, viability and durability of a service and the technical capacity and ability of a bidder;

"GCC" means the General Conditions of Contract.

"Goods" means all of the equipment, machinery, and/or other materials that the supplier is required to supply to the purchaser under the contract.

"Imported content" means that portion of the bidding price represented by the cost of components, parts or materials which have been or are still to be imported (whether by the supplier or his subcontractors) and which costs are inclusive of the costs abroad, plus freight and other direct importation costs such as landing costs, dock dues, import duty, sales duty or other similar tax or duty at the South African place of entry as well as transportation and handling charges to the factory in the Republic where the supplies covered by the bid will be manufactured.

"Local content" means that portion of the bidding price which is not included in the imported content provided that local manufacture does take place.

"Manufacture" means the production of products in a factory using labour, materials, components and machinery and includes other related value-adding activities.

"non-firm prices" means all prices other than "firm" prices;

"Order" means an official written order issued for the supply of goods or works or the rendering of a service.

"person" includes a juristic person;

"Project site," where applicable, means the place indicated in bidding documents.

"Purchaser" means the organization purchasing the goods.

"rand value" means the total estimated value of a contract in South African currency, calculated at the time of bid invitations, and includes all applicable taxes and excise duties;

"Republic" means the Republic of South Africa.

"SCC" means the Special Conditions of Contract.

"Services" means those functional services ancillary to the supply of the goods, such as transportation and any other incidental services, such as installation, commissioning, provision of technical assistance, training, catering, gardening, security, maintenance and other such obligations of the supplier covered under the contract.

"Shareholder" means a person who owns shares in the company and is actively involved in the management of the enterprise or business and exercises control over the enterprise.

"State" means –

- (i) any national or provincial department, national or provincial public entity or constitutional

institution within the meaning of the Public Finance Management Act, 1999 (Act No. 1 of 1999);

- (ii) any municipality or municipal entity;
- (iii) Provincial Legislature;
- (iv) National Assembly or the National Council of Provinces; or
- (v) Parliament.

“stipulated minimum threshold” means that portion of local production and content as determined by the Department of Trade and Industry;

“sub-contract” means the primary contractor’s assigning, leasing, making out work to, or employing, another person to support such primary contractor in the execution of part of a project in terms of the contract;

“total revenue” bears the same meaning assigned to this expression in the Codes of Good Practice on Black Economic Empowerment, issued in terms of section 9(1) of the Broad-Based Black Economic Empowerment Act and promulgated in the Government Gazette on 9 February 2007;

“trust” means the arrangement through which the property of one person is made over or bequeathed to a trustee to administer such property for the benefit of another person;

“trustee” means any person, including the founder of a trust, to whom property is bequeathed in order for such property to be administered for the benefit of another person.

“Written” or **“in writing”** means handwritten in ink or any form of electronic or mechanical writing.

The following page is the template to be used for the Customer Satisfaction / Reference letters. Please submit this template, with your details on the first two lines, to 3 of your previous clients and submit their completed letters with your submission. Failure to do this will result in your bid being rejected.



Private Bag 1015
 Grahamstown 6140
 South Africa
 Tel: (046)6035800
 Fax: (046) 6222403
 Int. code: +27 46
 www.saiab.ac.za

Customer Satisfaction / Reference Letter

The South African Institute for Aquatic Biodiversity seeks to refurbish a sport fisher 13m which will include installing two new Yanmar inboard marine diesel engines. We would appreciate your effort in completing the reference below based on your experience.

Name of Supplier: _____

Criteria	Poor	Average	Meets Requirements	Exceeds Requirements	Exceeds Requirements and adds value
Professionalism					
Interpersonal skills					
Turn around / completion times					
Satisfaction with Goods supplied.					
Response times					
Reliability of equipment					
Would you use them again?			No	Yes	
Overall Impression					

Product purchased: _____

Completed by: _____

Company Name: _____

Contact Number: _____



APPENDIX 1: YANMAR 6LY2A-STP SPECIFICATIONS

Configuration	4-stroke, vertical, water-cooled diesel engine	
Maximum output at crankshaft	* 324 kW@3300 rpm	[440 HP@3300 rpm]
	** 225 kW@3300 rpm	[427 HP@3300 rpm]
Displacement	5.813 ltr	[354 cu in]
Bore x stroke	106 mm x 110 mm	[4.17 in x 4.33 in]
Cylinders	6 in line	
Combustion system	Direct injection	
Aspiration	Turbocharged with watercooled turbine housing	
Starting system	Electric starting 12V - 2.5 kW	
Alternator	12V - 80A	
Cooling system	Fresh water cooling by centrifugal fresh water pump and rubber impeller seawater pump	
Lubrication system	Enclosed, forced lubricating system	
Direction of rotation [crankshaft]	Counter clockwise viewed from stern	
Dry weight without gear	535 kg	[1179 lbs]
Environmental	EU: RCD	EMC
Engine mounting	Rubber type flexible mounting	

NOTE:

Fuel condition: Density at 15°C = 0.842 g/cm³; 1HP = 0.7355 kW

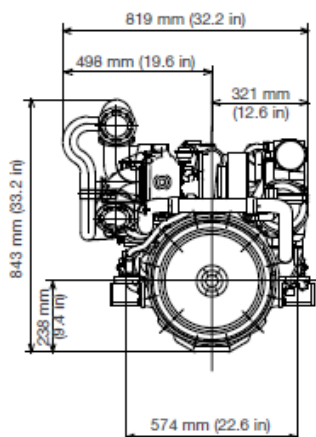
* Fuel temperature 25°C at the inlet of the fuel injection pump [ISO 3046-1]

** Fuel temperature 40°C at the inlet of the fuel injection pump [ISO 8665]

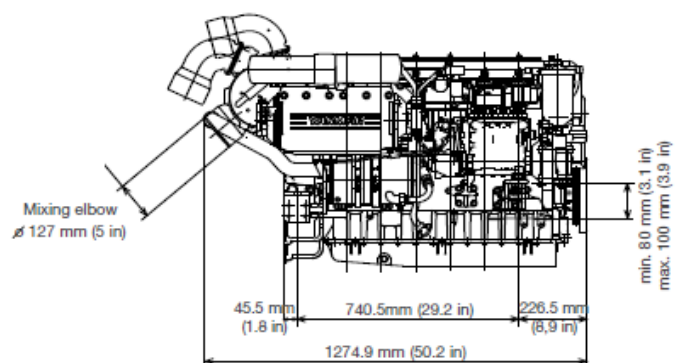
Technical data is according to ISO 8665: 2006/3046-1

DIMENSIONS

Rear view



Right side view



APPENDIX 2: MAINTENANCE SCHEDULE TO BE QUOTED ON.

Item	Description	Schedule		
		1st 50 hr	Every 250hr	Every 2000 hr
Fuel	Replacement of filter element		√	
Engine lube oil	Replacement of filter element	√	√	
	Cleaning of lube oil cooler			√
	Change of lube oil	√	√	
Cooling water (seawater side)	Check and replacement of impeller			√
	Cleaning of seawater system (including freshwater and lube oil cooler)			√
	Replacement of anti-corrosive zinc		√	
Cooling water (freshwater side)	Replacement of fresh water		√	
	Cleaning of fresh water system (including heat exchange tank)			√
Fuel injection pump and fuel injection valve	Adjustment of injection timing			√
	Overhaul and check fuel feed pump			√
	Adjustment of injection pressure and atomising condition		√	√
Cylinder head	Adjustment of clearance intake and exhaust valve		√	√
	Lapping the intake/exhaust valve			√
Marine gear	Check and clean lube oil cooler			√
	Check bearings, friction plate and seals			√
	Replacement of oil lube	√	√	