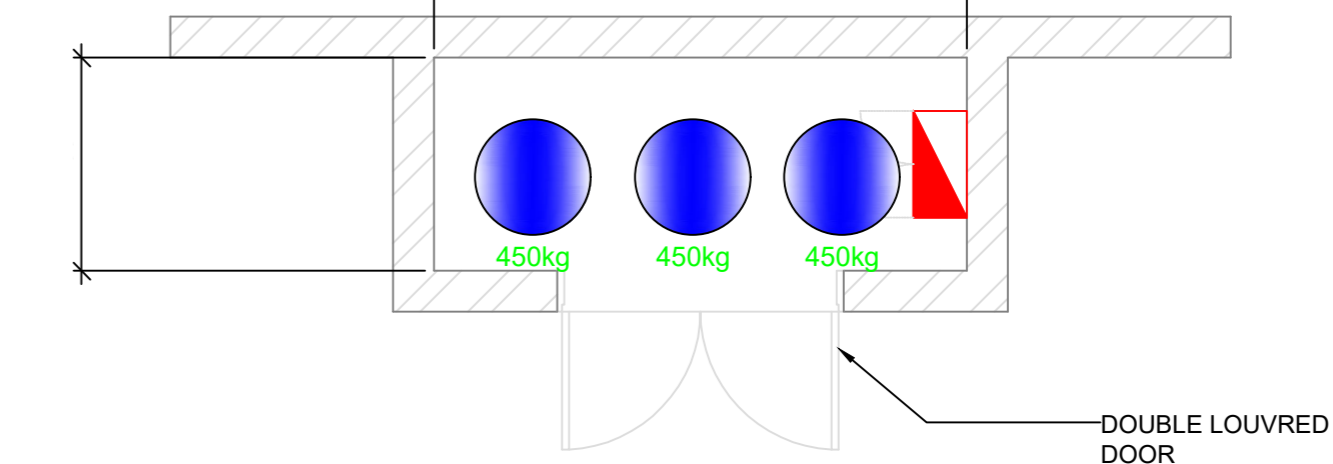
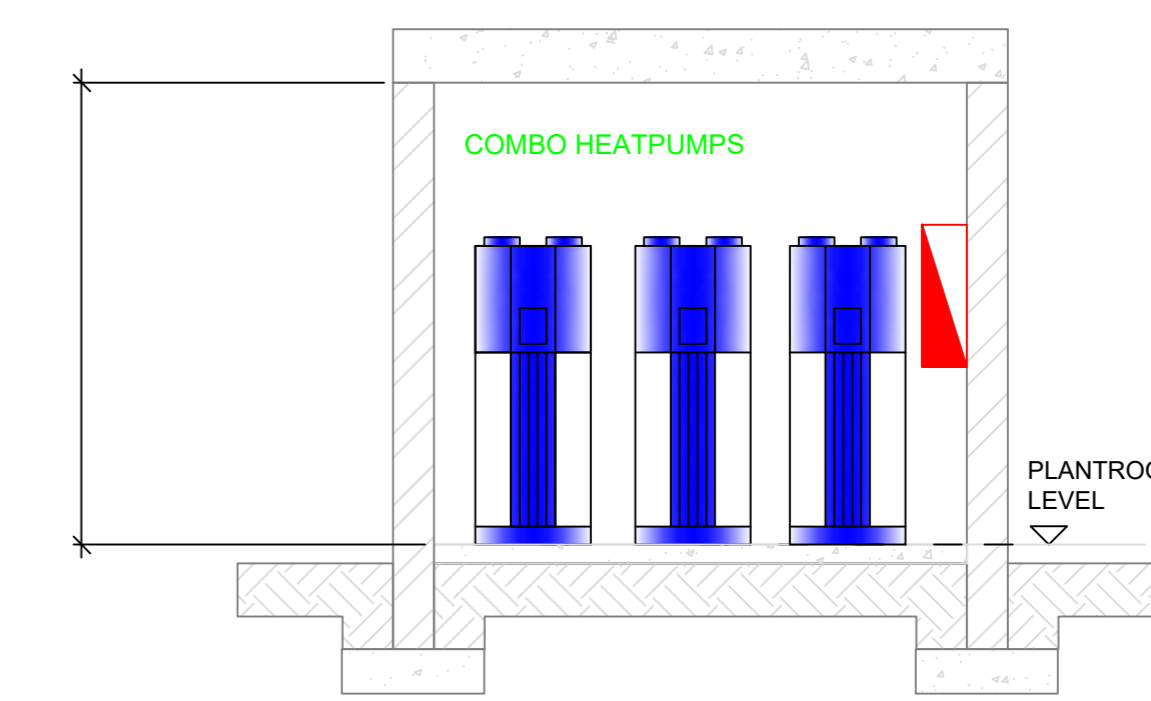


BASEMENT DOMESTIC WATER LAYOUT

1 : 150



TYPICAL DOUBLE COMBO HEAT PUMP (300L) PLANT LAYOUT
SCALE 1:50



TYPICAL SECTION THROUGH DOUBLE COMBO HEAT PUMP PLANTROOM
SCALE 1:50

LEGEND	
	HWS (HOT WATER SUPPLY LINE) C/W THEIR ISOLATION VALVE
	CWS (COLD WATER SUPPLY LINE) C/W THEIR ISOLATION VALVE
	HWS (HOT WATER SUPPLY LINE) C/W THEIR DIRECTIONAL ARROW
	CWS (COLD WATER SUPPLY LINE) C/W THEIR DIRECTIONAL ARROW

REV	DATE	COMMENTS	BY
T	15/07/24	ISSUED FOR TENDER	P.N

Consulting Engineer:
Golden Phoenix 44 Ground Floor, 100 Orange Road, Park View, 2001, Limpopo (Pretoria); 51 (Buckingham) Manager
 One Office, P.O. Box 100, 2001, Orange Road, Park View, 2001, Limpopo (Pretoria); 51 (Buckingham) Manager
 KAN Consulting Engineers and Project Managers Pty Ltd
 Reg No: 2016/04020/07

Consulting Engineers & Project Managers:

Client:

NRF SAASTA
National Research Foundation South African Agency for Science and Technological Advancement
 Didacta Building
 211 Nana Sita Street
 Pretoria
 0001
 TEL: (012) 362 6300
 FAX: (012) 320 7803

Project:
**NRF DIDACTA BUILDING
 ABLUTIONS REFURBISHMENT**

Drawing Title:
**BASEMENT
 DOMESTIC HOT & COLD WATER
 LAYOUT**

Consultant's Signature: _____

ECSA: 201530048

Drawn: V.D	Checked: S.M	Designed: P.N	Scale: AS SHOWN
Job Number: PTAME/00	Discipline: MECH	Dwg Number: V01-DW-08	Rev: T
			Dwg Size: A0

ISSUE FOR TENDER